

Name: Stainless Steel Wash Trough

Description: Wash Troughs are available in a multitude of configurations. Wall Mounted Wash Troughs are generally finished 400mm from front to back with a 165mm deep, centrally wasted trough.

A 50mm upstand is provided to the rear to prevent wall spills. A taller upstand is available as an optional extra.

Material: 1.5mm 304 Grade Stainless Steel

Finish: Brushed

Standard Sizes:

- 1 Person: 600mm (*Compact*)
- 1 Person: 800mm
- 2 Person: 1200mm
- 3 Person: 1800mm
- 4 Person: 2400mm
- 5 Person: 3000mm

The above are standard sizes. Custom sizes are also available.



with Lever Mixer Taps



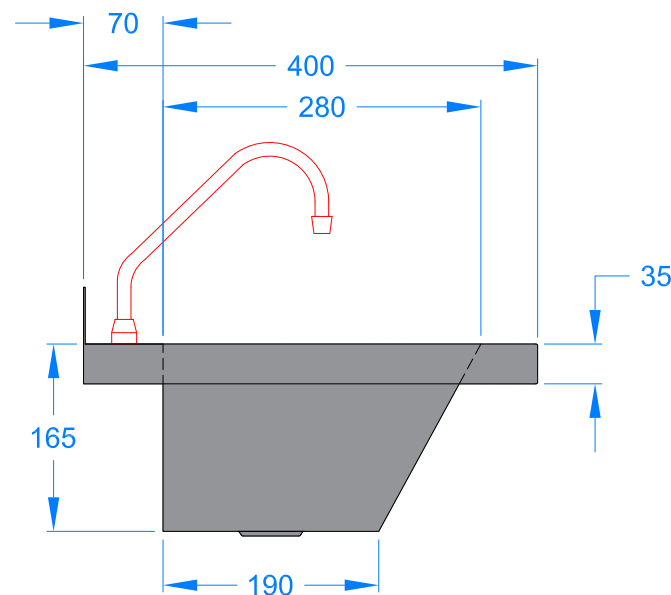
with Self Closing Taps



with Leg Operated Wall Rods



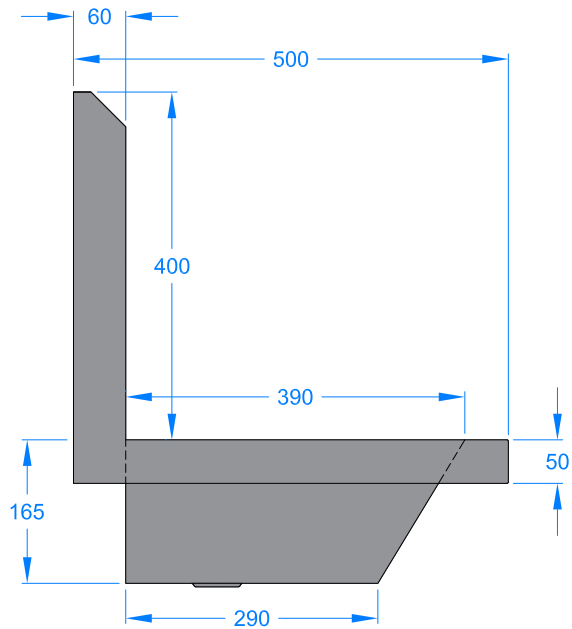
with Leg Operated Pedals



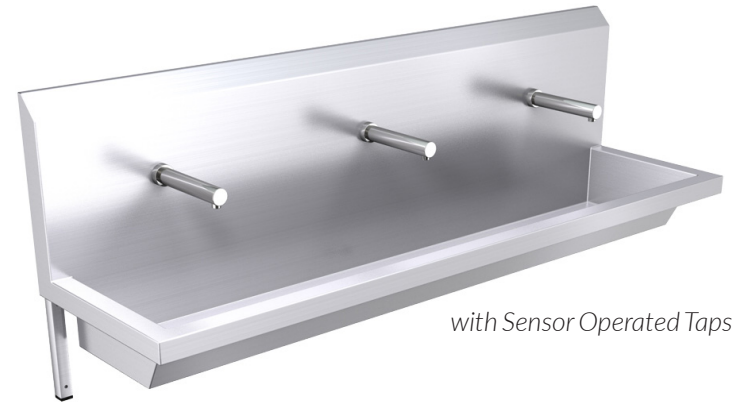
High Backsplash

Our heavy duty high backsplash wall mounted wash troughs models are designed for wall mounted tap outlets. These units is supplied with a 400mm high, 60mm deep, backsplash.

These models are deeper, at 500mm front to back, and feature a wider, 390mm trough which is also centrally wasted.



with Leg Operated Pedals



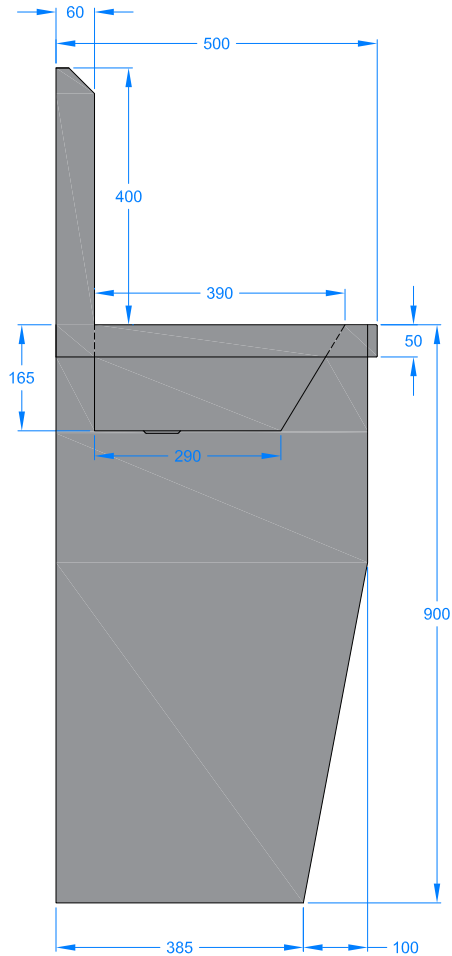
with Sensor Operated Taps



with Rotating Self Closing Push Taps

Free Standing Wash Trough

Our free standing wash trough units are provided with a service panel to the front of the unit for easy maintenance access.



with Sensor Operated Taps



with Leg Operated Pedals



with Rotating Self Closing Push Taps